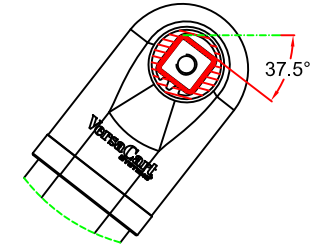
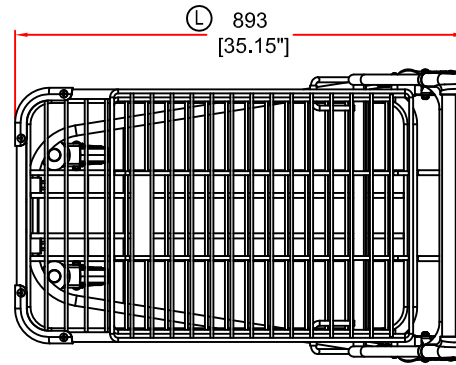


L	893[35.15"]
W	580[22.84"]
H	1048[41.25"]



VIEW "A"

